



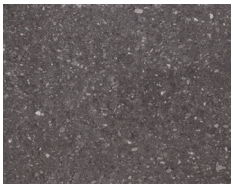
Charcoal



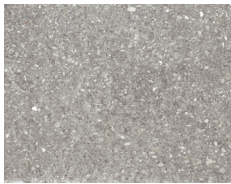
Gray

Whether it is for residential or small commercial retaining wall projects, the Southern Traditions™ 6" Hard Split Retaining Wall product is sure to please! Built to last, this wall unit will accentuate any outer space or landscaping area.

#### AVAILABLE IN 6 COLOR OPTIONS!



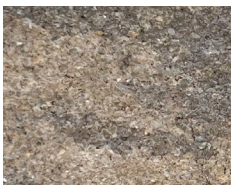
CHARCOAL



GREY



TAN



CHOCOLATE/TAN



GRAY/CHARCOAL



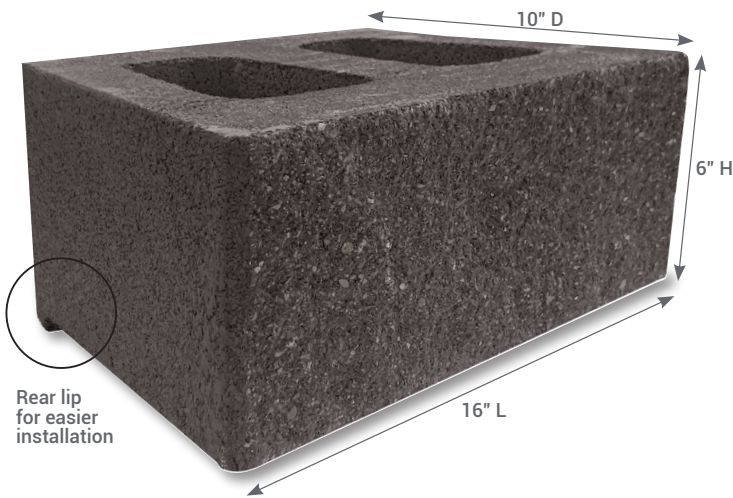
TAN/CHARCOAL

#### Ideal Projects

- Garden Borders
- Gravity Walls up to 3' High
- Planters
- Tiered Walls
- Tree Rings

#### Installation Highlights

- Rear lip allows for faster interlocking between pieces while installing multiple tiers—helps to stabilize and makes installation quicker
- Lightweight product with hollow core allows for easier installation and decreases quantities shipped per truck
- The product versatility creates straight, curved or tiered walls



Rear lip for easier installation

#### PRODUCT SPECIFICATIONS

|                           | 6" HARD SPLIT RETAINING WALL | 3" HARD SPLIT CAP      |
|---------------------------|------------------------------|------------------------|
| APPROXIMATE DIMENSIONS    | 6"H x 16"W x 10"D            | 3"H x 16"W/12"W x 10"D |
| APPROXIMATE WEIGHT        | 49 lbs.                      | 35 lbs.                |
| COVERAGE SQ. FT. PER UNIT | .667                         | 14" avg. lin. ft.      |
| UNITS PER SQ. FT.         | 1.5                          | N/A                    |
| REAR LIP SETBACK          | .75                          | N/A                    |

#### For Curved Projects:

- Minimum radius of 3'
- Convex & concave course bonding will adjust sideways
- Remove rear lip or cut units accordingly if stack bond occurs to get back to a running bond course

#### HOW TO ESTIMATE YOUR RETAINING WALL PROJECT:

##### 1. Measure Your Project Size:

H x  W =  total sq. ft. of project

##### 2. Calculate For The Total Units Needed:

Total sq. ft. x 1.5 sq. ft. per unit =

total units needed

#### HOW TO ESTIMATE RETAINING WALL CAPS NEEDED:

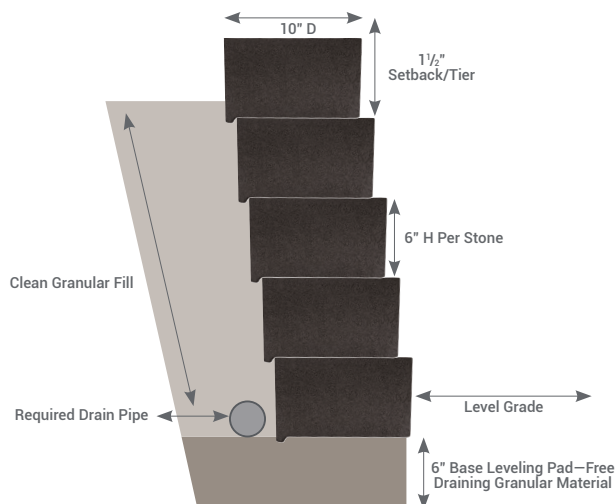
##### 1. Measure Length of Wall:

L x 12" =  total lin. ft. of project

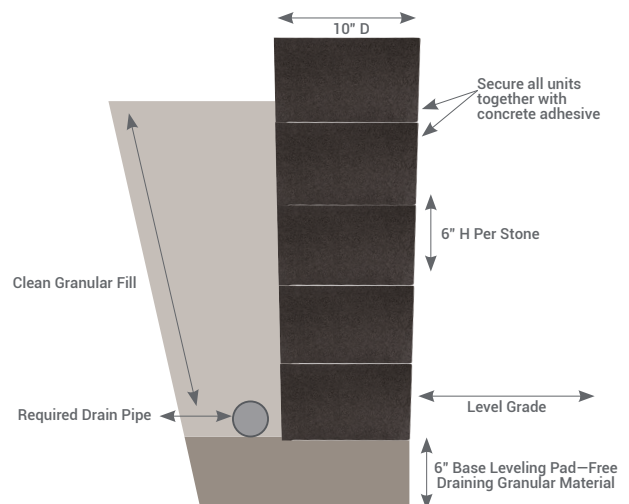
##### 2. Calculate For Total Caps Needed:

lin. ft. % 14" =  total caps needed

#### LEVEL, GRADE, FILL & SETBACK INFORMATION



#### LEVEL, GRADE, FILL & SETBACK INFORMATION—WITH NO LIP



For rear lip removal if needed: Hold securely in place and strike firmly with hammer. Wear safety glasses to protect eyes from debris.